

Dec. 24, 1968

G. NEUMANN

3,418,436

UNIDIRECTIONAL CONDENSER MICROPHONE

Filed July 16, 1965

2 Sheets-Sheet 1

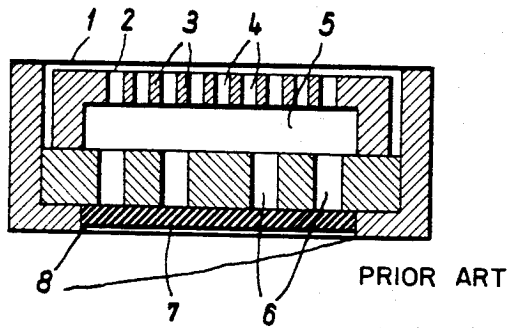


Fig. 1

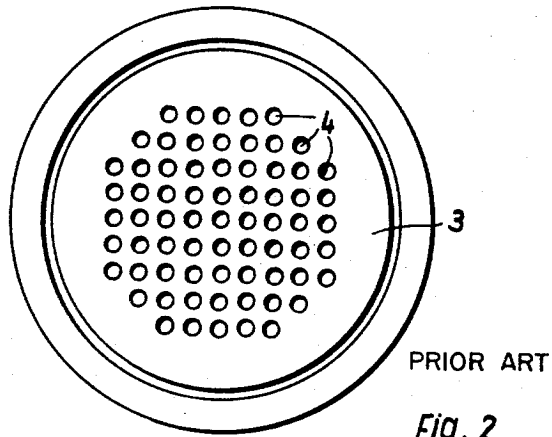


Fig. 2

Inventor:  
Georg Neumann  
By: Ernest G. Montague  
ATTORNEY