

Fig. 1.

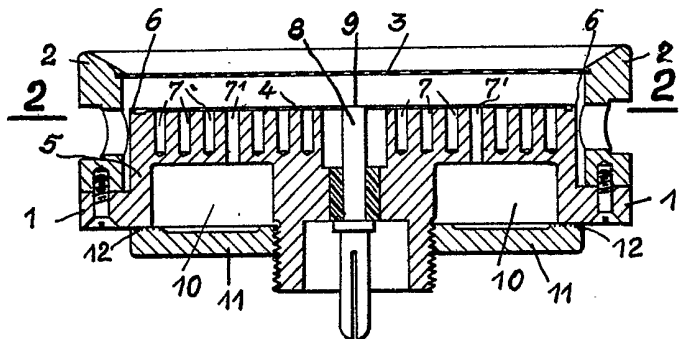


Fig. 5.

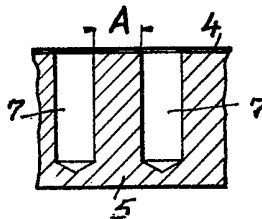


Fig. 2.

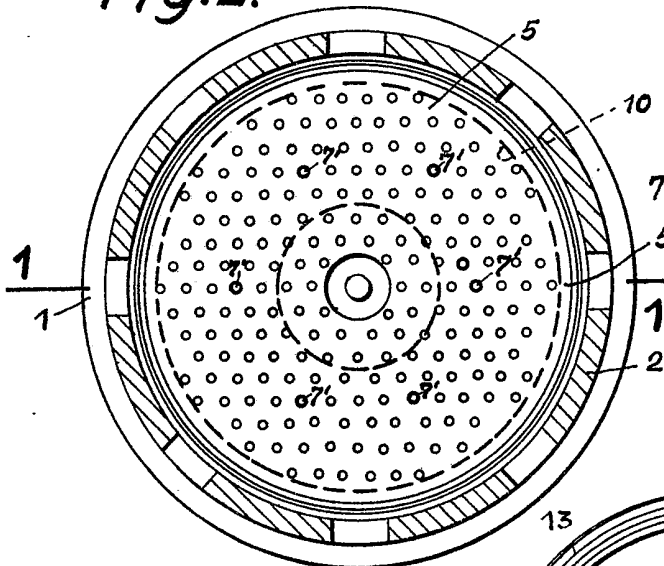


Fig. 6.

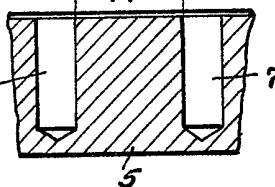
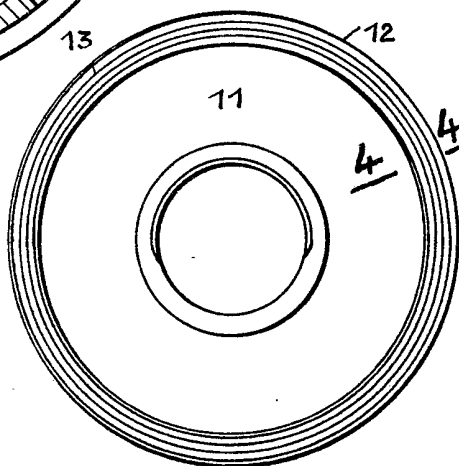
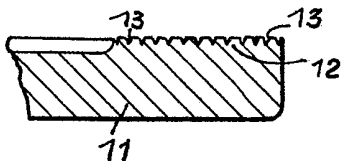


Fig. 3.

Fig. 4.



[This Drawing is a reproduction of the Original on a reduced scale.]